

Crossflame™ Pro Grill



Features/Specifications

- 30,000 BTU Solid Cast Brass Crossflame™ burners (patent pending)
- Exclusive Crossflame™ Stainless Steel radiant system (Trademark and Patent pending)
- 25,000 BTU infra-red sear burner
- 42" & 60" Grills: 1050 sq. in cooking surface (750 primary, 300 secondary)
- Two position, heavy gauge 3/8" Stainless Steel welded grilling racks
- Electronic ignition system
- Cooking zone dividers
- Heavy gauge 304 Stainless Steel warming rack
- Temperature gauge with grilling guide
- First Light™ Control illumination with yellow LED lighting
- Rear 15,000 BTU rotisserie burner with smoker tray
- 2 cast brass burners and 1 sear burner

42" & 60" (shown) Culinary Center Carts available with Hardwood (as shown) or all Stainless Steel inserts

- Integral Power Pro™ 18,000 BTU Dual Top Burners (CGP60-2GSR-2SB models only)
- Heavy duty rotis rod & forks with grill mounted stowage for rotis rod
- Two Hi-power halogen interior grilling lights
- Industry Exclusive halogen EXTERIOR work surface counter lights
- Patent pending Design features (knobs, handle endcaps, lid undercurve shape)

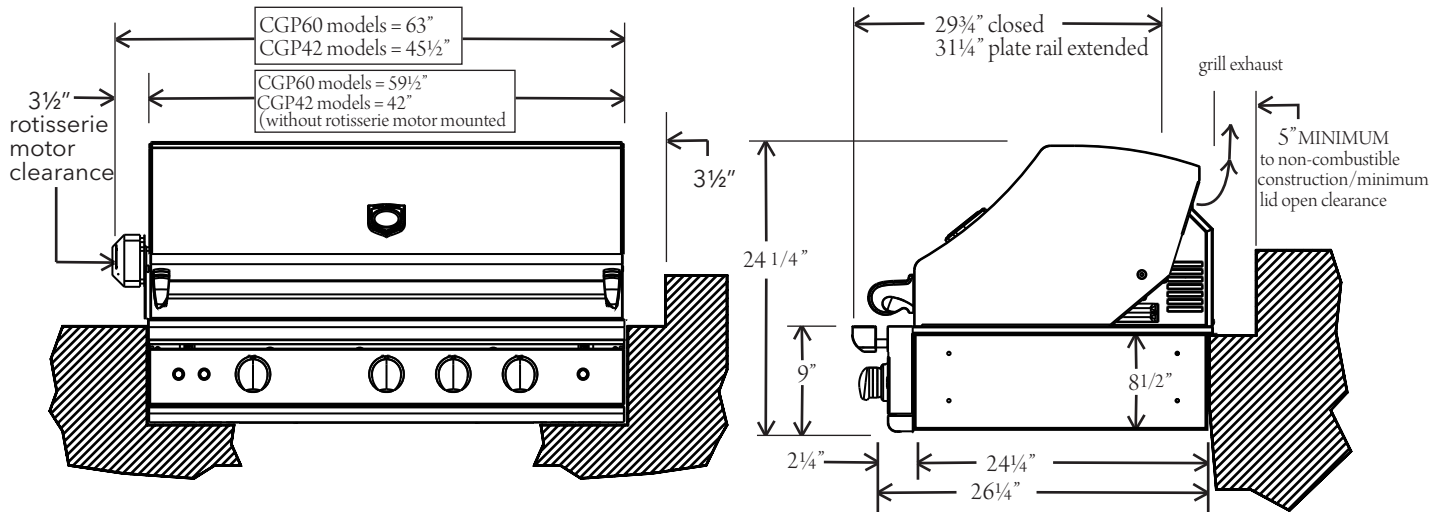


FOR MORE INFORMATION, VISIT OUR WEBSITE: CALIBERAPPLIANCES.COM

Made in USA

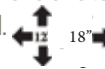


Clearances to Non-Combustible Construction*

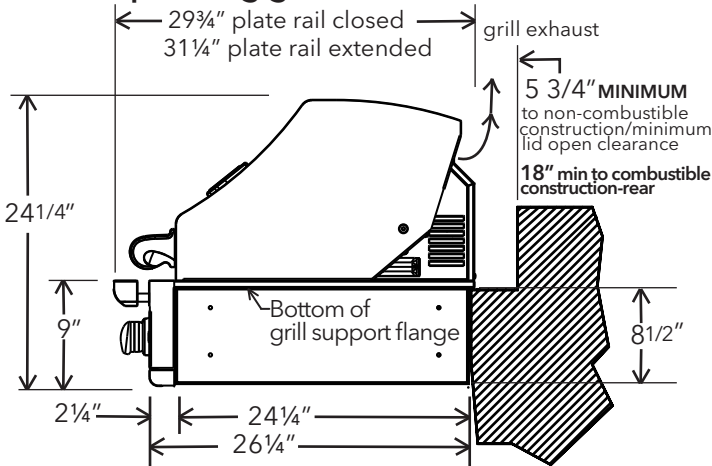


Important! Gas fittings, regulator, and installer supplied shut-off valves must be easily accessible.

* NOTE: All dimensions shown refer to installation into a non-combustible enclosure. Minimum dimensions to combustible material is 12" to right, left and above the grill. A minimum of 18" clearance to combustibles from the rear of the grill is required.

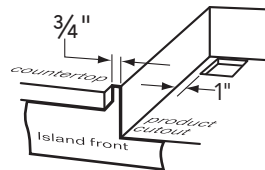


Build-in planning guide for non-combustible enclosures*

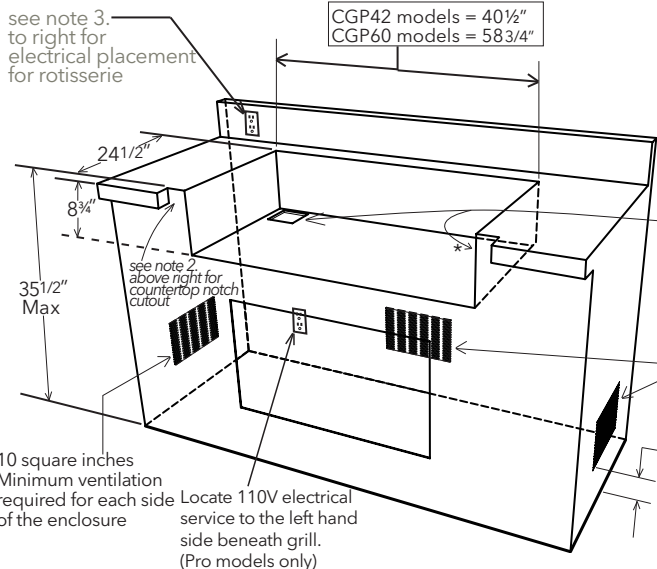


NOTES:

- Except where noted, a solid deck is not required for product shown on this page. Product is designed to hang from the countertop. Provide minimum 6" x 6" clearance in rear corner of product cutout for gas connection.
- Additional notch needed (L/R side) in countertop overhang to provide flush mounting of unit to island front face. - see illustration below

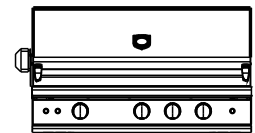


- If the island is designed using a backguard, locate service on the left hand side for connection of the rotisserie motor connection.



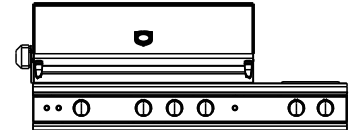
CrossflameTM Pro Grill Models:

42" Grills



CGP42-2G-1SR-L/N:
(2) Grill burners, (1) IR Sear Burner
(1) Rotisserie burner,
Interior, Workstation, plus Control Panel
Lighting. Wood Handle Optional (-WH).

60" Grills

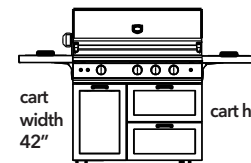


CGP60-2G-1SR-2SB-L/N:
(2) Grill burners, (1) IR Sear Burner,
(1) Rotisserie burner, (2) Integral Power ProTM
Top Burners,
Interior, Workstation, plus Control Panel
Lighting. Wood Handle Optional (-WH).

42" Culinary Center Cart:

(2) Slide out Drawers, fold down side shelves (choose wood or Stainless Steel inserts), (1) LP Tank Slide out Drawer.

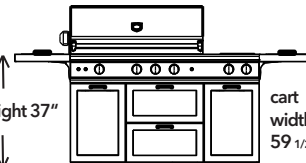
Full depth of Cart 28"
77" full width
51 1/2" w/ side shelves down



60" Culinary Center Cart:

(2) Slide out Drawers, fold down side shelves (choose wood or Stainless Steel inserts), (1) LP Tank Slide out Drawer. (1) Recycling, Trash, or Tall Storage pull out Drawer.

Full depth of Cart 28"
94 1/2" full width
69" w/ side shelves down



Freestanding Grills on Cart (any model from above may be ordered and assembled to its corresponding size)
Grill Head and Carts require minor assembly and are shipped in separate packages.