

48" Rockwell by Caliber™ Social Grill



3 Burner Built-In Model
Model # CRG48SS-L/N



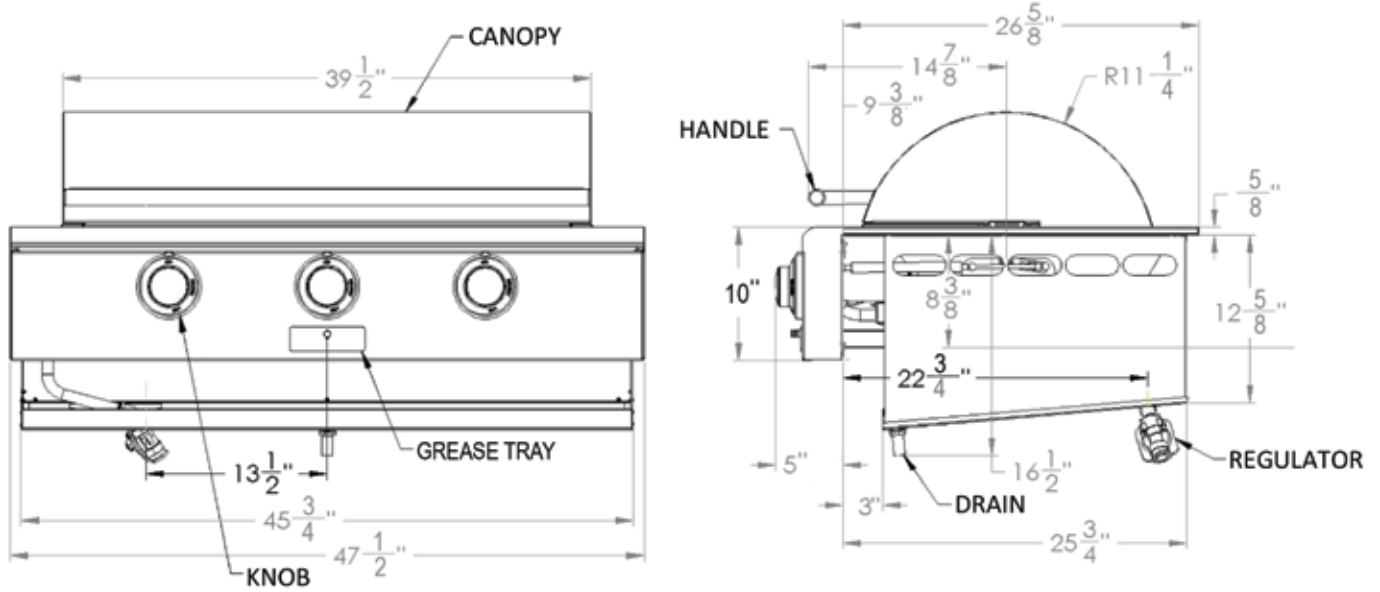
Features/Specifications

- World's first "Pro Social Grill" with fully disappearing lid (patent pending mechanism)
- True 360 degrees grill that encourages the social gathering aspect of grilling
- Two 20,000 BTU type 304 stainless steel Crossflame™ burners (patent pending)
- Powerful 20,000 BTU Sear Zone Infrared Burner - Additional Burner
- Exclusive Crossflame™ radiant system (trademark and patent pending)
- 675 sq. in cooking surface area
- Heavy gauge 304 stainless steel welded grilling racks
- "Sure Light" ignition system - no electricity required
- Cooking zone dividers
- Specify LP or NG gas. Ships ready for built-in Island design
- Available in 304 Stainless Steel only
- Access door model CRCAD20x41 shown below grill is also available

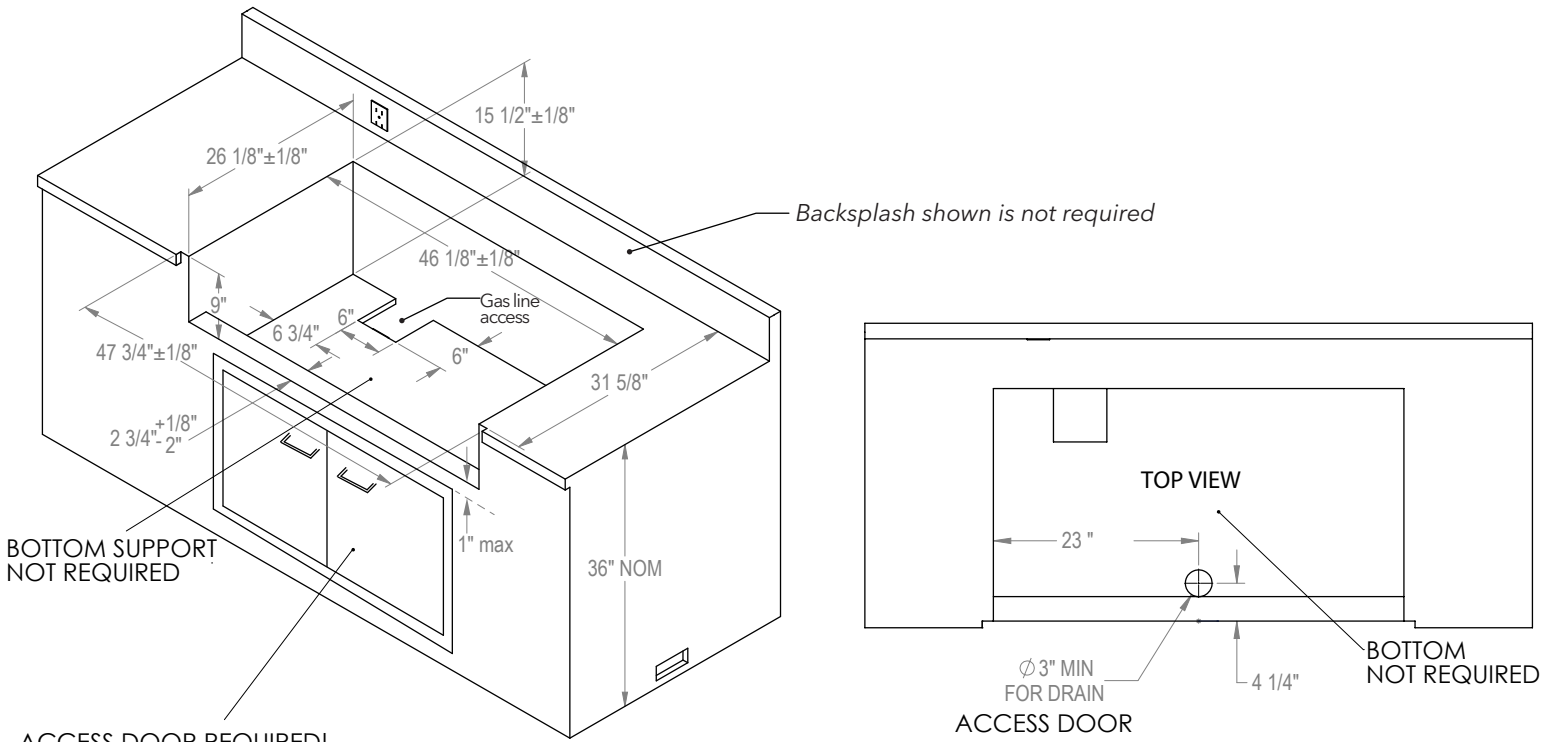
FOR MORE INFORMATION, VISIT OUR WEBSITE: CALIBERAPPLIANCES.COM

Made in USA

Product Dimensions



Built-in Cut out Specifications for 48" Rockwell:



ACCESS DOOR REQUIRED!

Important! Gas fittings, regulator, and installer supplied shut off valves must be easily accessible. Grill clean out area must also be easily accessible (1" maximum space between the bottom of grill to the top of the access door to be able to reach the clean out drain). CRCAD20x41 Double Access Doors shown.

ACCESS DOOR REQUIRED FOR DRAIN

(Access door placed no more than 1" below the grill to reach clean out drain)