

48" Rockwell by Caliber™ Social Grill



3 Burner Built-In Model
Model # CRG48SS-L/N



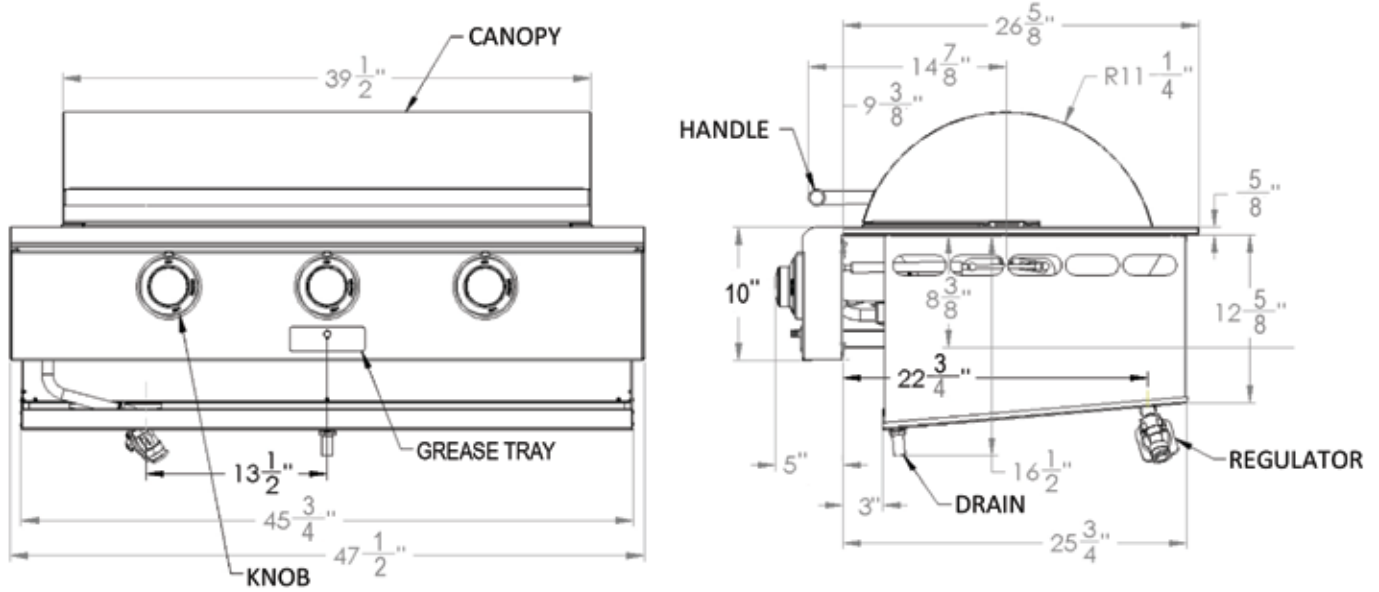
Features/Specifications

- World's first "Pro Social Grill" with fully disappearing lid (patent pending mechanism)
- True 360 degrees grill that encourages the social gathering aspect of grilling
- Two 20,000 BTU type 304 stainless steel Crossflame® burners (patented)
- Powerful 20,000 BTU Sear Zone Infrared Burner - Additional Burner
- Exclusive Crossflame® radiant system (trademarked and patented)
- 675 sq. in cooking surface area
- Heavy gauge 304 stainless steel welded grilling racks
- "Sure Light" ignition system - no electricity required
- Cooking zone dividers
- Specify LP or NG gas. Ships ready for built-in Island design
- Available in 304 Stainless Steel only
- Access door model CRCAD20x42 shown below grill is also available

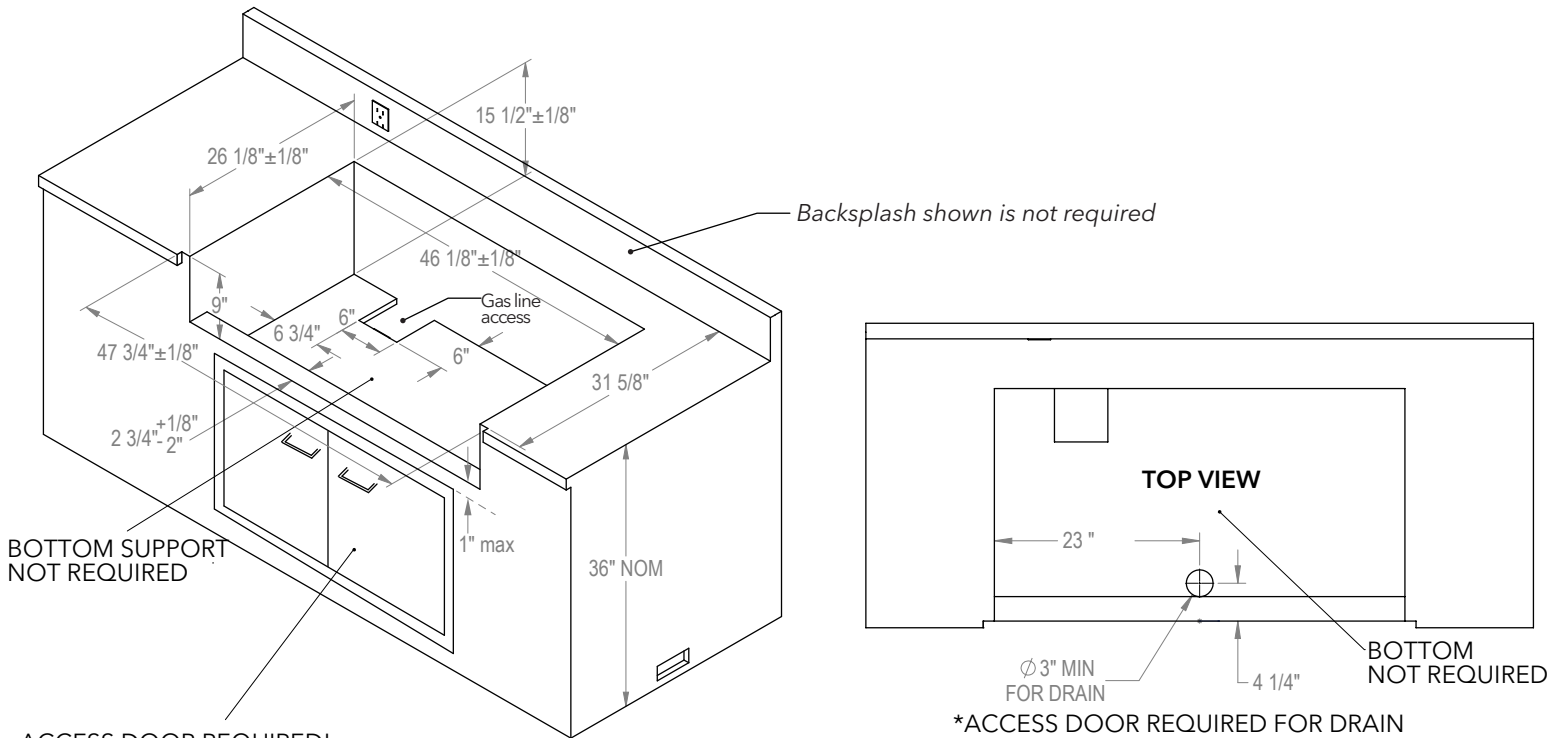
FOR MORE INFORMATION, VISIT OUR WEBSITE: CALIBERAPPLIANCES.COM

Made in USA

48" Rockwell Social Grill Product Dimensions



Build-in planning guide for non-combustible enclosures*



ACCESS DOOR REQUIRED!

Important! Gas fittings, regulator, and installer supplied shut off valves must be easily accessible. Grill clean out area must also be easily accessible (1" maximum space between the bottom of grill to the top of the access door to be able to reach the clean out drain). CRCAD20x42 Double Access Doors shown

***ACCESS DOOR REQUIRED FOR DRAIN**

(Access door placed no more than 1" below the grill to reach clean out drain)

Important! Access doors also required for combustible enclosures and additional spacer required. See installation instructions for combustible enclosures for this grill.